

Distributor :

LION INTERNATIONAL B.V.

6662 NS Elst (NL)

QC Code :

(UK) - For service requests
(NL) - Voor service vragen
(FR) - Pour les demandes de service
(DE) - Für Service Anfragen
(ES) - Para consultas de servicio
(IT) - Per richieste di assistenza

4

bopita[®]

ASSEMBLY INSTRUCTION

UK

MODEL: BO

MONTAGE HANDLEIDING

NL

TYPE: Universal
Protectionside

MONTAGE ANLEITUNG

D

COLOUR: Rose Wood

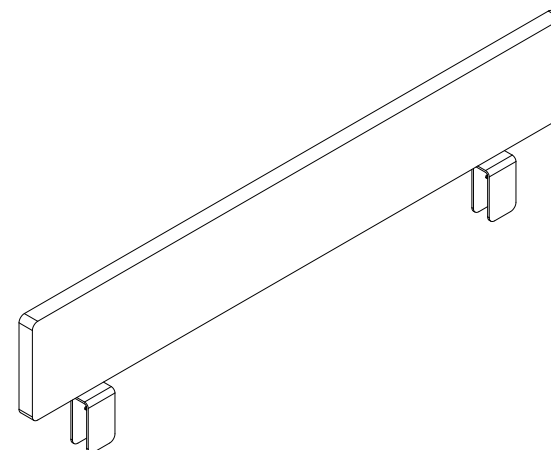
NOTICE DE MONTAGE

F

ART CODE: 19620348

MANUAL DE MONTAJE

ESP



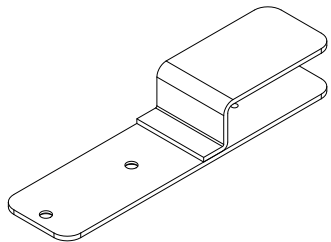
Distributor:
BOPITA
Energieweg 1
6662 NS Elst
The Netherlands
www.bopita.com

08.12.2022



1

A1



2x

A2

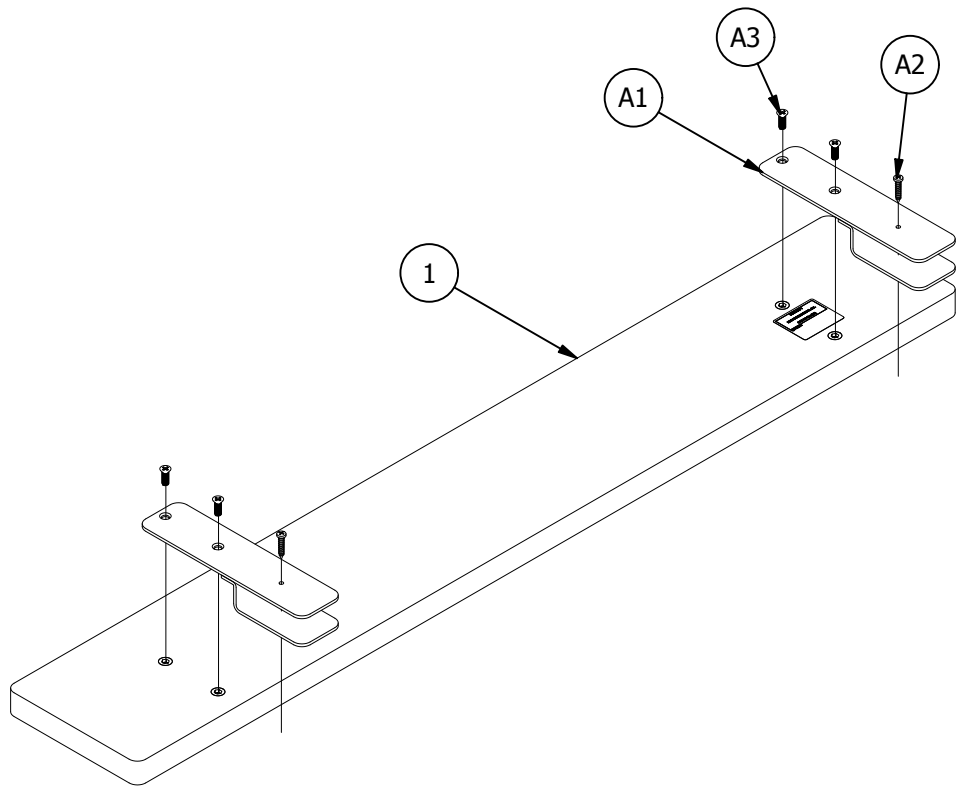


2.9x22 mm 2x

A3

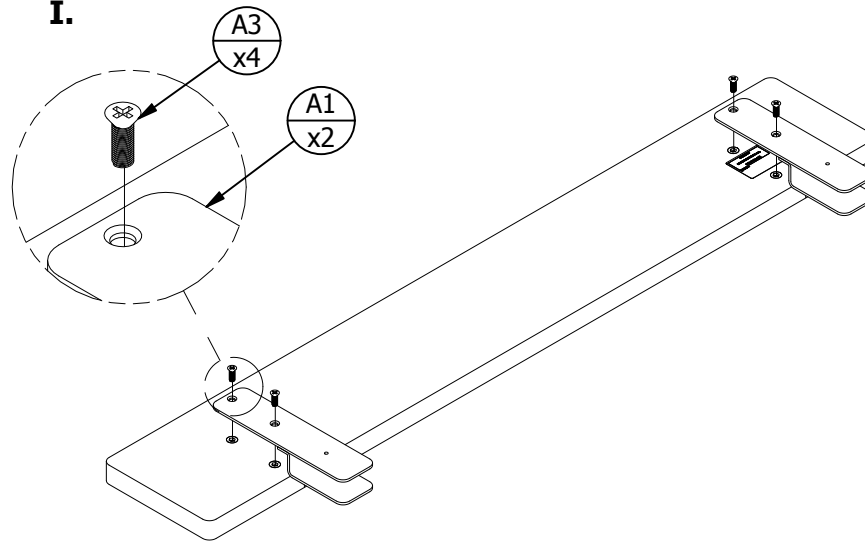


M6x16 mm 4x

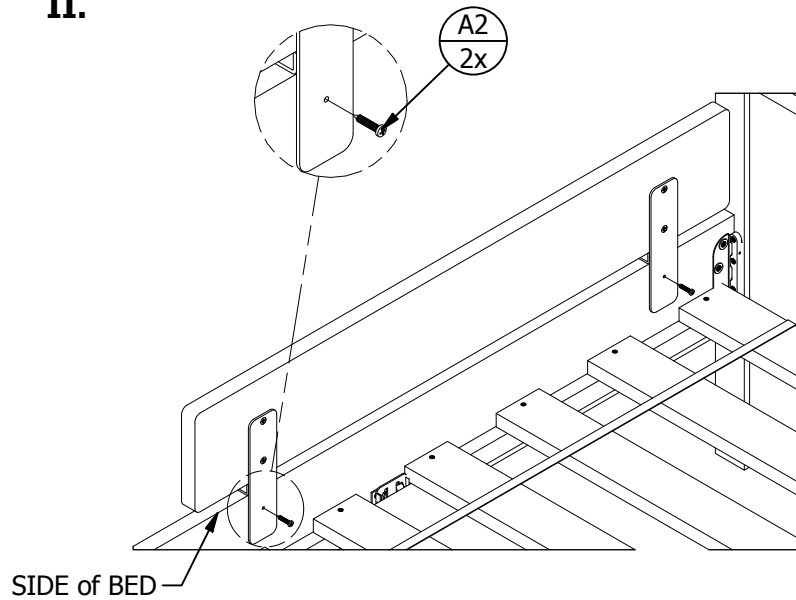


2.

I.



II.



3.